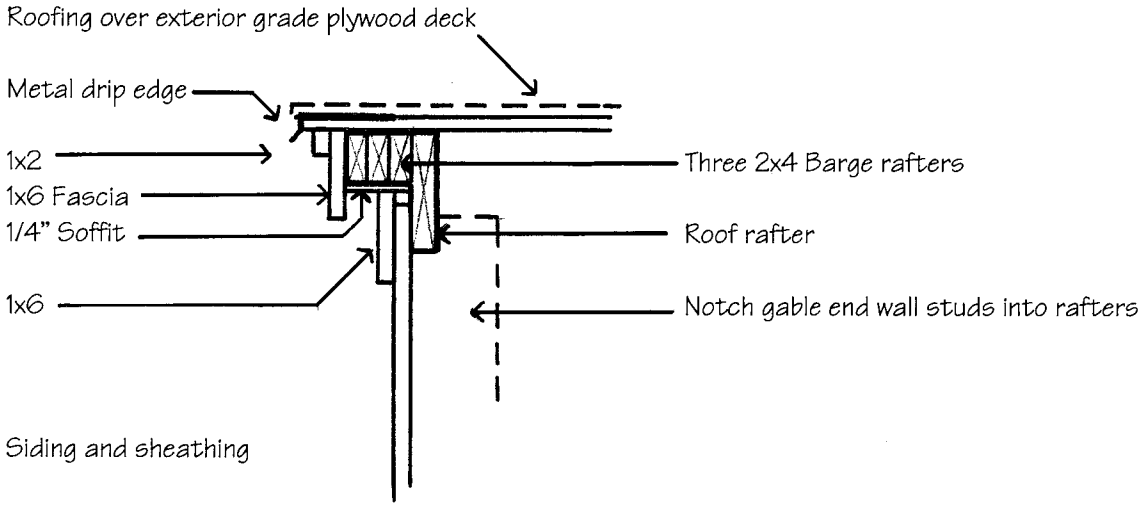


SECTION AT EAVE SIDE WALL



SECTION AT GABLE END WALL

Secure rafters to plates with steel hurricane ties – Simpson Strong-Tie H-1 or equal.

1/4" Soffit can be exterior grade plywood or Masonite.

DETAILS – 1" = 1'-0"
BARN STYLE ROOF OVERHANGS

This simple roof edge protects walls from rain runoff with 6" overhangs at gable ends and 8" overhangs on eave sides. Facia and trim boards meet at 90 degrees at all corners. Corner joints can be straight saw cuts or 45 degree bevel cuts.